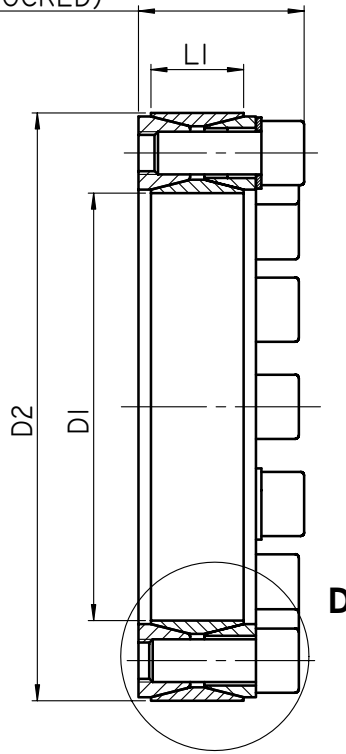
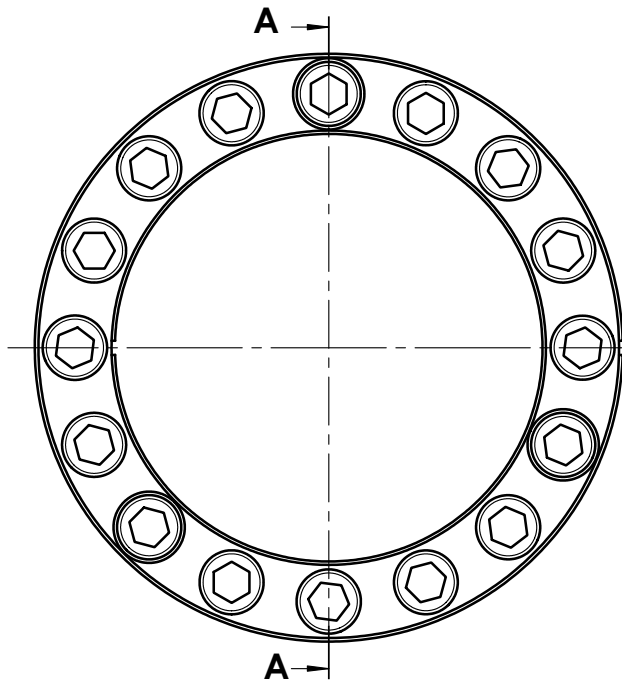
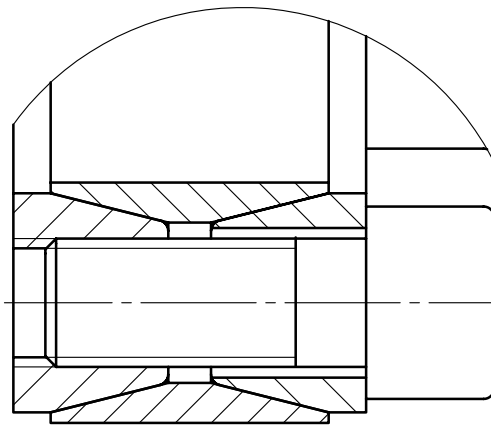
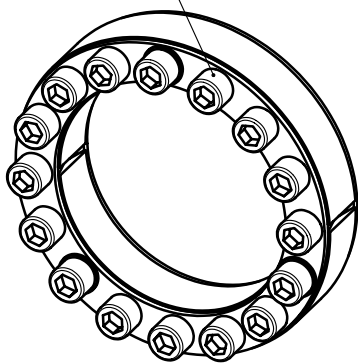


L2 (UNLOCKED)



SECTION A-A

N BOLTS x SIZE X  
TIGHTENING TORQUE MA



DETAIL D

SIZE	D1	D2	L1	L2	N	X	Ma	MASS	Transmissible torque	Transmissible axial force	Hub contact pressure	Shaft contact pressure
	mm	mm	mm	mm			Nm	kg	Nm	kN	MPa	MPa
020x47	20	47	17	27	8	M6x18	17	0.22	320	32	110	255
022x47	22	47	17	27	8	M6x18	17	0.23	360	32	110	237
024x50	24	50	17	27	9	M6x18	17	0.25	430	37	116	237
025x50	25	50	17	27	9	M6x18	17	0.25	460	36	116	230
028x55	28	55	17	27	9	M6x18	17	0.30	570	40	116	225
030x55	30	55	17	27	9	M6x18	17	0.28	600	40	116	212
035x60	35	60	17	27	12	M6x18	17	0.30	850	48	128	219
040x65	40	65	17	27	15	M6x18	17	0.32	1110	55	134	219
045x75	45	75	20	34	12	M8x22	41	0.60	1880	84	147	246
050x80	50	80	20	34	12	M8x22	41	0.64	2070	83	135	223
055x85	55	85	20	34	14	M8x22	41	0.70	2650	97	152	234
060x90	60	90	20	34	14	M8x22	41	0.72	2890	97	140	210
065x95	65	95	20	34	16	M8x22	41	0.80	3560	109	152	223
070x110	70	110	24	40	14	M10x25	83	1.30	5450	156	154	249
075x115	75	115	24	40	14	M10x25	83	1.40	5810	155	148	231
080x120	80	120	24	40	14	M10x25	83	1.43	6160	155	142	213
085x125	85	125	24	40	16	M10x25	83	1.52	7450	175	154	231
090x130	90	130	24	40	16	M10x25	83	1.58	7820	174	148	213
095x135	95	135	24	40	18	M10x25	83	1.65	9360	198	160	231
100x145	100	145	26	47	14	M12x30	145	2.35	11100	223	157	226
110x155	110	155	26	47	14	M12x30	145	2.40	12180	221	145	209
120x165	120	165	26	47	16	M12x30	145	2.60	15200	263	157	215
130x180	130	180	34	52	20	M12x35	145	3.70	20400	315	133	191
140x190	140	190	34	52	22	M12x35	145	4.00	24200	345	145	191
150x200	150	200	34	52	24	M12x35	145	4.30	28000	376	145	197
160x210	160	210	34	52	26	M12x35	145	4.50	32500	406	151	197
170x225	170	225	38	60	22	M14x40	230	6.00	39700	467	145	194
180x235	180	235	38	60	24	M14x40	230	6.30	45700	508	151	200
190x250	190	250	46	68	28	M14x45	230	8.80	56300	593	139	182
200x260	200	260	46	68	30	M14x45	230	9.00	63500	635	139	182
220x285	220	285	50	74	26	M16x50	355	11.70	81800	746	138	181
240x305	240	305	50	74	30	M16x50	355	12.60	102900	860	150	193
260x325	260	325	50	74	34	M16x50	355	13.60	125000	962	156	199
280x355	280	355	60	86	32	M18x60	485	20.30	153000	1095	138	174
300x375	300	375	60	86	36	M18x60	485	22.20	183000	1221	144	180
320x405	320	405	72	100	36	M20x70	690	31.20	250000	1558	143	178
340x425	340	425	72	100	36	M20x70	690	33.00	266500	1558	137	172
360x455	360	455	84	114	36	M22x80	930	45.50	350500	1943	137	173
380x475	380	475	84	114	36	M22x80	930	47.50	367000	1931	131	161
400x495	400	495	84	114	36	M22x80	930	48.60	384000	1920	125	155
420x515	420	515	84	114	40	M22x80	930	52.00	446000	2122	131	161
440x545	440	545	96	128	40	M24x90	1200	68.20	545000	2470	126	155
460x565	460	565	96	128	40	M24x90	1200	71.00	565000	2450	120	150
480x585	480	585	96	128	42	M24x90	1200	74.00	620000	2580	120	150
500x605	500	605	96	128	44	M24x90	1200	77.00	670000	2680	120	150
520x630	520	630	96	128	45	M24x90	1000	84.00	600000	2320	100	125
540x650	540	650	96	128	45	M24x90	1000	87.00	630000	2340	100	120
560x670	560	670	96	128	48	M24x90	1000	90.00	680000	2440	100	120
580x690	580	690	96	128	50	M24x90	1000	93.00	735000	2540	100	120
600x710	600	710	96	128	50	M24x90	1000	95.00	775000	2580	100	120
620x730	620	730	96	128	52	M24x90	1000	98.00	825000	2660	100	120
640x750	640	750	96	128	54	M24x90	1000	101.00	865000	2700	100	115
660x770	660	770	96	128	56	M24x90	1000	104.00	925000	2800	100	120
680x790	680	790	96	128	56	M24x90	1000	107.00	965000	2840	100	115